

Marking

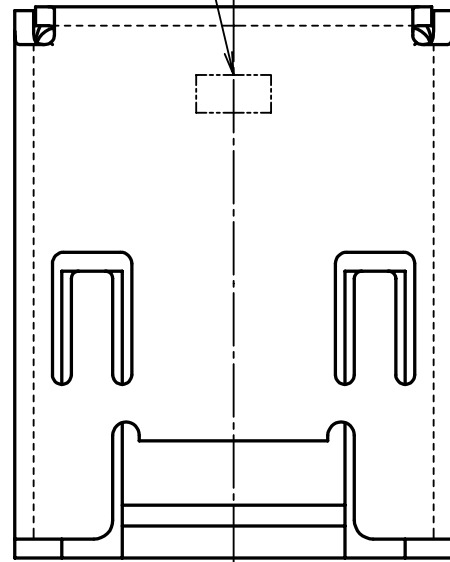
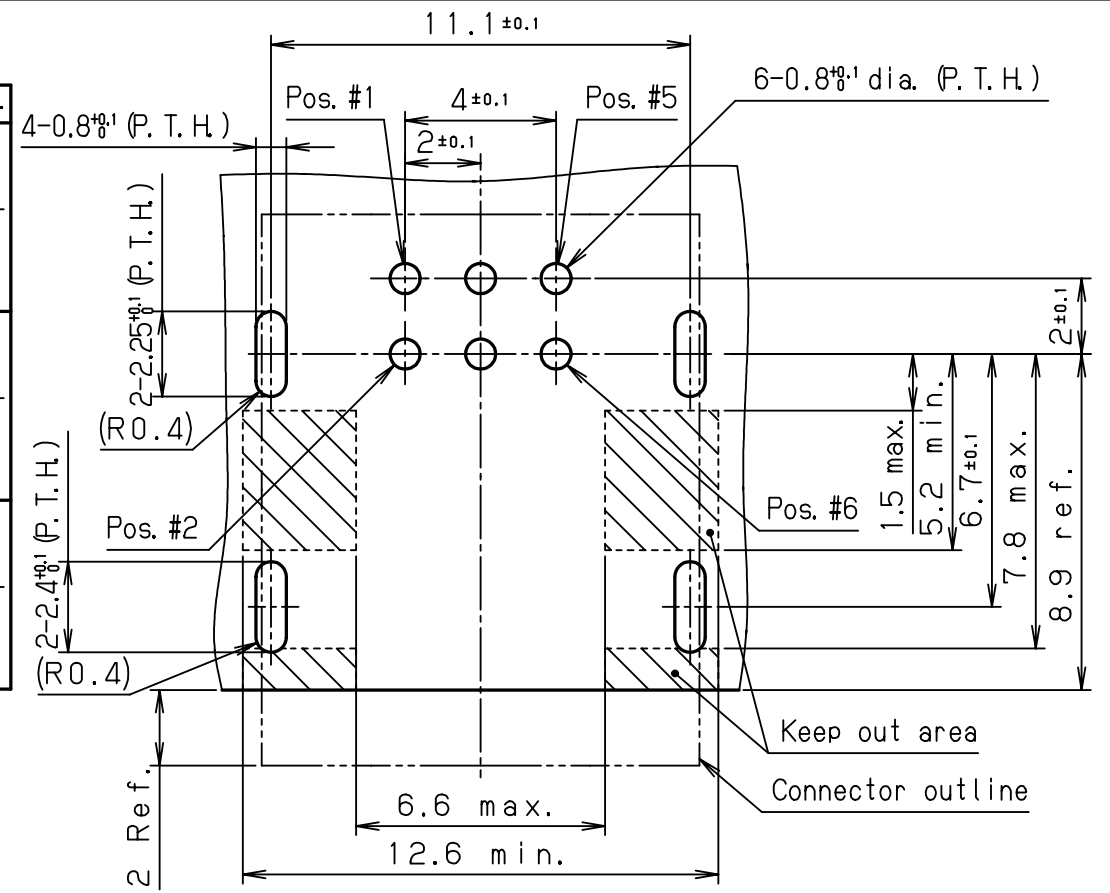
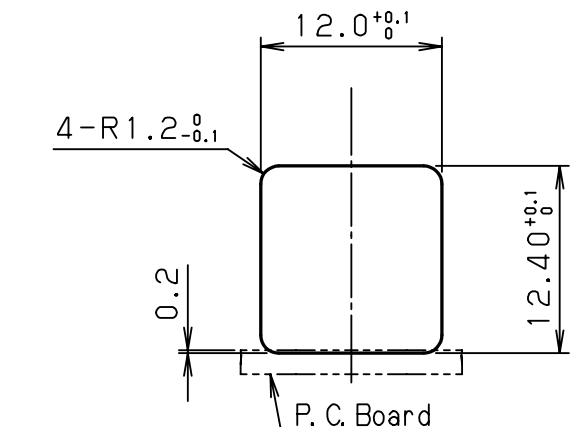


Table 1: Housing color and key code

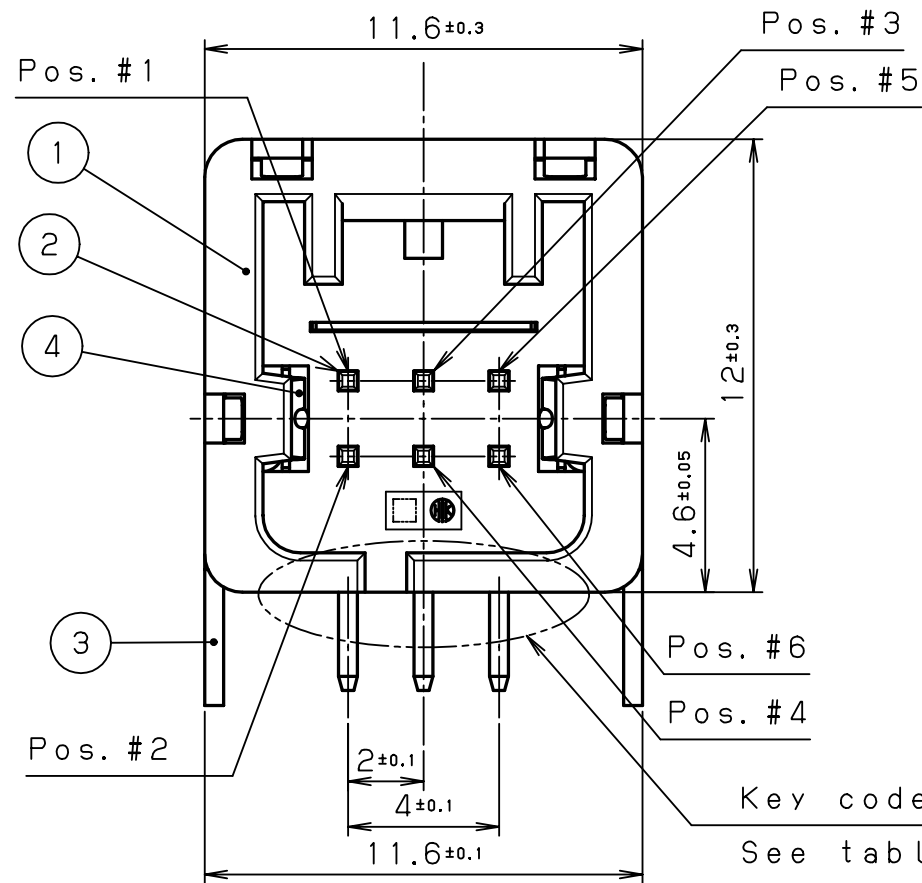
Part no.	Insulator color	Key code	Mating plug part no.
TAK-A6LMDGGB-AF+	Black	 1.1 ^{+0.1} ₀ 1±0.05	TAK-A6SFCGB-A () +
TAK-A6LMDGAB-BF+	Blue	 1.1 ^{+0.1} ₀	TAK-A6SFCGA-B () +
TAK-A6LMDGCB-CF+	Brown	 1±0.05 1.1 ^{+0.1} ₀	TAK-A6SFCGC-C () +



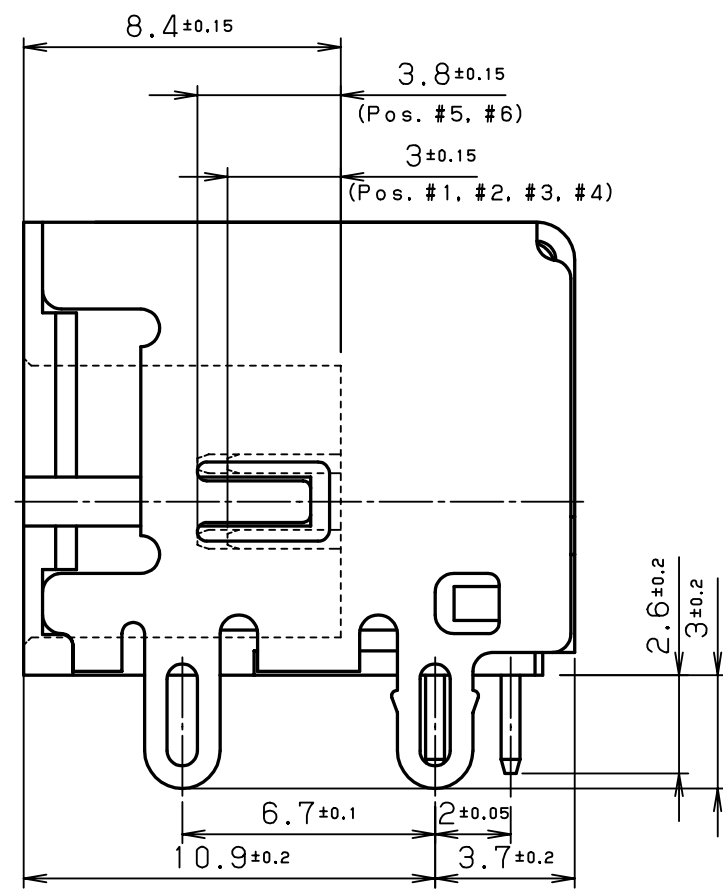
Recommended P.C.B layout
P.C.B thickness: 1.2mm~1.6mm
(Connector side)



Panel opening size
(Recommended panel thickness: 1.0mm)



Key code
See table #1



RoHS compliant

4	Ground contact	Stainless steel	1	Nickel plating	—					
3	Shell	Steel	1	Nickel plating	—					
2	Contact	Copper alloy	6	Gold plating	—					
1	Insulator	PBT (GF)	1	—	UL94V-0 See table #1					
LTR.	DATE	BY	REV.	DESCRIPT	No.	PART NAME	MATERIAL	QTY	FINISH	NOTE
	Apr. 12. 2010		5/1							HONDA TSUSHIN KOGYO CO., LTD.
	APP. DATE&REV.									
	DR.	DE.	CHK.	CHK.	APP.	NAME	6 pos. receptacle connector (RoHS)			
	T. KAWANO	T. KAWANO	H. AIZAWA	—	K. KASHIO	PART NO.	TAK-A6LMDG () () - () F+		REV.	